

## Features

- Designed to prevent inadvertent valve start-up
- Once tripped, requires electrical power restoration and manual operation to reset
- Electrically Tripped (trips when energized) or No Voltage Release (trips when de-energized) constructions
- Available for Latched Open or Latched Closed operation.
- Ideal for controlling critical processes
- Handles air, inert gas, water, light oil, steam, and corrosive fluids

## Construction

Valve Parts in Contact with Fluids		
Body	Brass	Stainless Steel
Stem	303 Stainless Steel	
Springs	302 Stainless Steel	
Disc, Diaphragm, Seat, & Seal Material	FKM, NBR, PTFE, or EPDM, as listed	

## Electrical

Standard Coil and Class of Insulation	Watt Rating and Power Consumption				Spare Coil Part Number	
	DC Watts	AC				
		Watts	VA Holding	VA Inrush	AC	DC
F	-	20	45	96	99257	-
H	36.2	-	-	-	-	222184

**Standard Voltages:** 24, 120, 240, 480 volts AC, 60 Hz. 6, 12, 24, 120, 240 volts DC. Must be specified when ordering. Other voltages are available when required.

**Notes:** 125 and 250 volts DC are battery voltages applied in power plants. Special valves are available to pilot control valves in power plants.

*Consult your local ASCO sales office for a listing.*

## Solenoid Enclosures

**Standard:** RedHat metal solenoid enclosure.  
 Type 1 General Purpose Junction Box.

**Optional:** Explosionproof and Watertight, Types 3, 7(C and D), and 9.  
 (To order, add prefix "EF" to catalog number.)

*See Optional Features Section for other available options.*

## Nominal Ambient Temp. Ranges

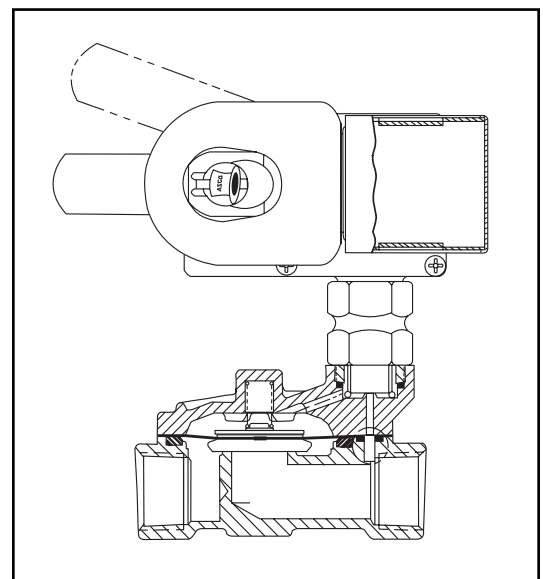
-20°F to 104°F (-29°C to 40°C)

*Refer to Engineering Section for details.*

## Approvals

CSA certified. Meets shock and vibration ISA S71.03C2.

*Refer to Engineering Section for details.*



SPECIAL SERVICE PILOT

## Operation Alternatives

**Electrically Tripped** – Valves move to latched position when the solenoid is de-energized, trips when they receive a continuous or momentary (at least 0.3 sec.) electrical signal. When tripped, they can be manually cycled open/closed, but must be reset when the solenoid has once again been de-energized.

**No Voltage Release** – Valves move to latched position when the solenoid is energized, trips when de-energized. When tripped, they can be manually cycled open/ closed, but must be reset when the solenoid has once again been energized.

**Specifications (English units)**

Pipe Size (ins.)	Orifice Size (ins.)	Cv Flow Factor	Operating Pressure Differential (psi)			Max. Fluid Temp. °F		Latched Open		Latched Closed		Watt Rating/ Class of Coil Insulation	
								No Voltage Release	Electrically Tripped	No Voltage Release	Electrically Tripped		
			Min.		Max. AC	Max. DC	AC	DC	(closes when coil is de-energized)	(closes when coil is energized)	(opens when coil is de-energized)	(opens when coil is energized)	
			Catalog Number		Catalog Number		Catalog Number		Catalog Number		AC	DC	
<b>BRASS BODY with NBR Diaphragm for Air, Inert Gas, Water, and Light Oil</b>													
3/4	3/4	6.5	5	250	250	180	180	8025B201	8015B201	8025B214	8015B214	20/F	36.2/H
1	1	13	5	125	125	180	180	8025B202	8015B202	8025B215	8015B215	20/F	36.2/H
1 1/4	1 1/8	15	5	125	125	180	180	8025B203	8015B203	8025B216	8015B216	20/F	36.2/H
1 1/2	1 1/4	22.5	5	125	125	180	180	8025B204	8015B204	8025B217	8015B217	20/F	36.2/H
2	1 3/4	43	5	125	125	180	180	8025B205	8015B205	8025B218	8015B218	20/F	36.2/H
2 1/2	1 3/4	45	5	125	125	180	180	8025B206	8015B206	8025B219	8015B219	20/F	36.2/H
<b>BRASS BODY with PTFE Disc (EPDM, FPM and PTFE Seals) for Steam Service</b>													
3/4	3/4	7.8	5	125	125	353	353	8025B207	8015B207	8025B220	8015B220	20/F	36.2/H
1	1	13.5	5	125	125	353	353	8025B208	8015B208	8025B221	8015B221	20/F	36.2/H
1 1/4	1 1/8	15	5	125	125	353	353	8025B209	8015B209	8025B222	8015B222	20/F	36.2/H
1 1/2	1 1/4	22.5	5	125	125	353	353	8025B210	8015B210	8025B223	8015B223	20/F	36.2/H
<b>STAINLESS STEEL BODY with PTFE Disc (FPM Seals) for Corrosive Service</b>													
1/2	3/8	3.2	5	250	250	350	350	8025B211	8015B211	8025B224	8015B224	20/F	36.2/H
3/4	3/4	7.8	5	250	250	350	350	8025B212	8015B212	8025B225	8015B225	20/F	36.2/H
1	1	11.2	5	125	125	350	350	8025B213	8015B213	8025B226	8015B226	20/F	36.2/H

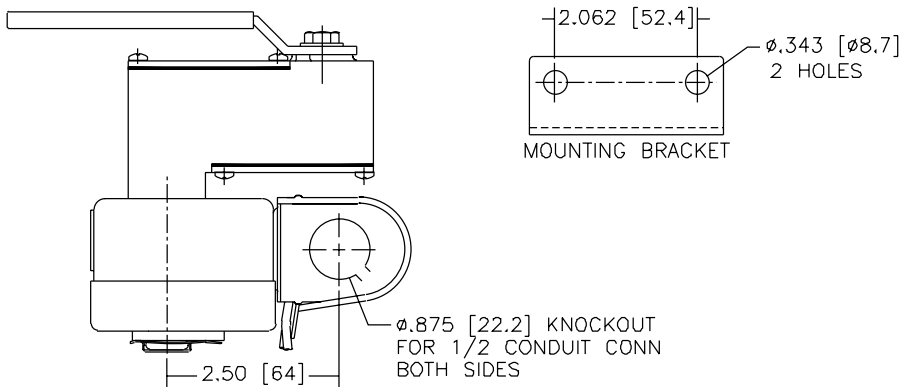
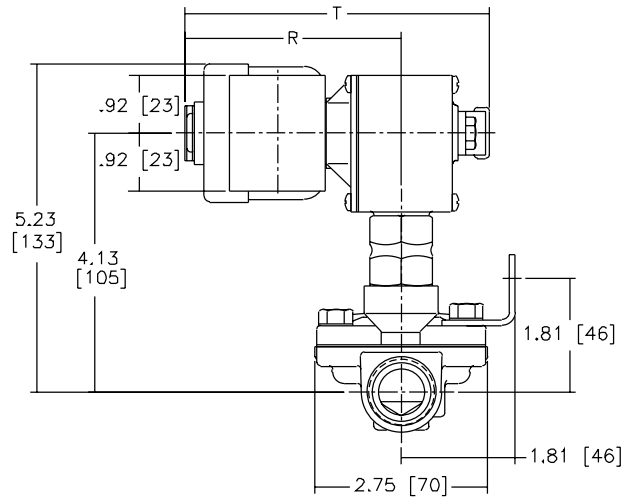
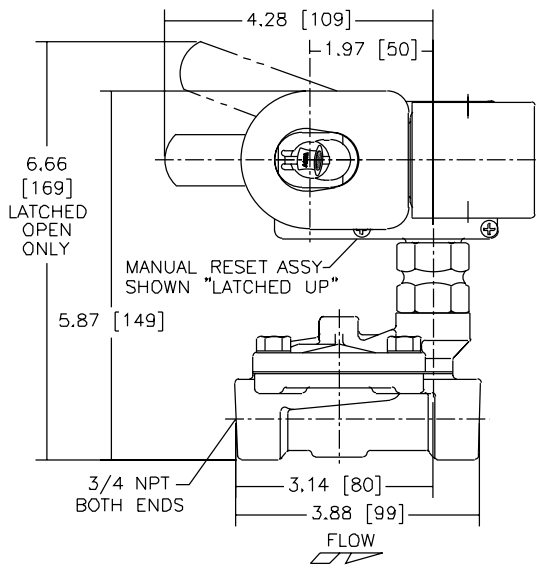
SPECIAL SERVICE PILOT

**Specifications (Metric units)**

Pipe Size (ins.)	Orifice Size (mm)	Kv Flow Factor (m3/h)	Operating Pressure Differential (bar)			Max. Fluid Temp. °C		Latched Open		Latched Closed		Watt Rating/ Class of Coil Insulation	
								No Voltage Release	Electrically Tripped	No Voltage Release	Electrically Tripped		
			Min.		Max. AC	Max. DC	AC	DC	(closes when coil is de-energized)	(closes when coil is energized)	(opens when coil is de-energized)	(opens when coil is energized)	
			Catalog Number		Catalog Number		Catalog Number		Catalog Number		AC	DC	
<b>BRASS BODY with NBR Diaphragm for Air, Inert Gas, Water, and Light Oil</b>													
3/4	19	5.57	0.3	17	17	82	82	8025B201	8015B201	8025B214	8015B214	20/F	36.2/H
1	25	11.14	0.3	9	9	82	82	8025B202	8015B202	8025B215	8015B215	20/F	36.2/H
1 1/4	29	12.86	0.3	9	9	82	82	8025B203	8015B203	8025B216	8015B216	20/F	36.2/H
1 1/2	32	19.29	0.3	9	9	82	82	8025B204	8015B204	8025B217	8015B217	20/F	36.2/H
2	44	36.86	0.3	9	9	82	82	8025B205	8015B205	8025B218	8015B218	20/F	36.2/H
2 1/2	44	38.57	0.3	9	9	82	82	8025B206	8015B206	8025B219	8015B219	20/F	36.2/H
<b>BRASS BODY with PTFE Disc (EPDM, FPM and PTFE Seals) for Steam Service</b>													
3/4	19	6.69	0.3	9	9	177	177	8025B207	8015B207	8025B220	8015B220	20/F	36.2/H
1	25	11.57	0.3	9	9	177	177	8025B208	8015B208	8025B221	8015B221	20/F	36.2/H
1 1/4	29	12.86	0.3	9	9	177	177	8025B209	8015B209	8025B222	8015B222	20/F	36.2/H
1 1/2	32	19.29	0.3	9	9	177	177	8025B210	8015B210	8025B223	8015B223	20/F	36.2/H
<b>STAINLESS STEEL BODY with PTFE Disc (FPM Seals) for Corrosive Service</b>													
1/2	10	2.74	0.3	17	17	175	175	8025B211	8015B211	8025B224	8015B224	20/F	36.2/H
3/4	19	6.69	0.3	17	17	175	175	8025B212	8015B212	8025B225	8015B225	20/F	36.2/H
1	25	9.60	0.3	9	9	175	175	8025B213	8015B213	8025B226	8015B226	20/F	36.2/H

**Dimensions: inches (mm)**

Catalog Number		R	T
8025B201	ins.	3.44	4.84
8025B214	mm	87	123
8015B201	ins.	3.22	4.62
8015B214	mm	82	117

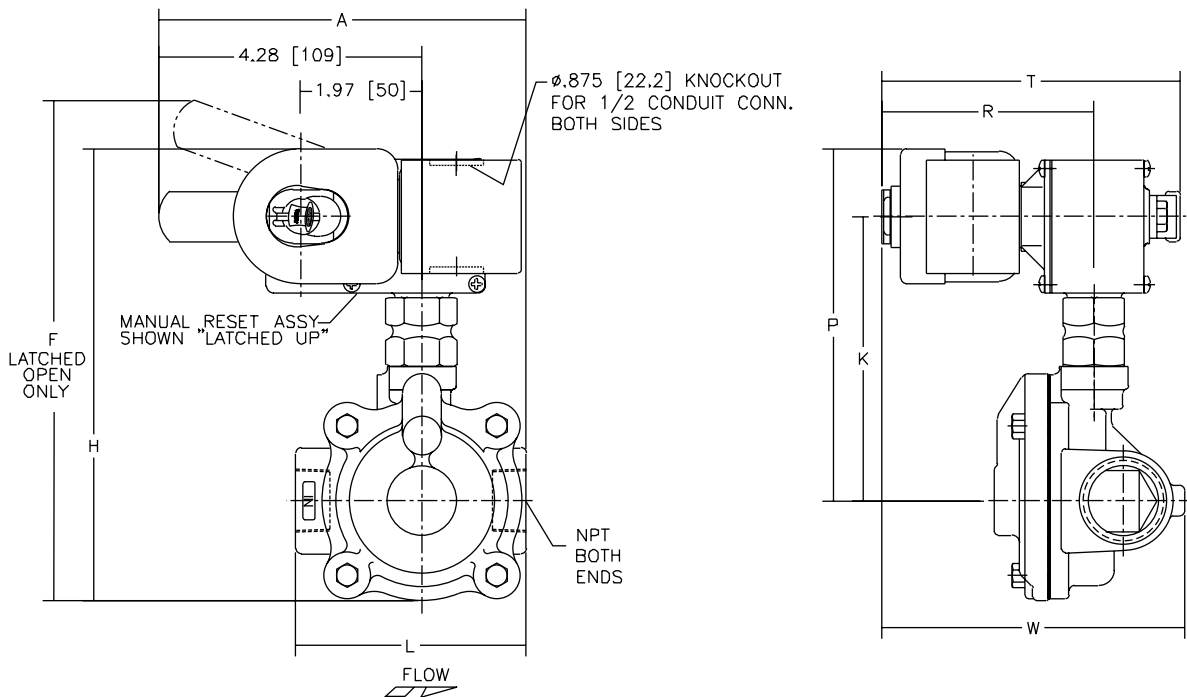


**Dimensions: inches (mm)**

Catalog Number		A	F	H	K	L	P	R	T	W
8025B215	ins.	5.98	8.13	7.36	4.63	3.75	5.74	3.44	4.84	4.91
	mm	152	207	187	118	95	146	87	123	125
8025B202	ins.	5.98	8.13	7.63	4.63	3.75	5.74	3.44	4.84	4.91
	mm	152	207	187	118	95	146	87	123	125
8015B215	ins.	5.98	8.13	7.36	4.63	3.75	5.74	3.22	4.62	4.69
	mm	152	207	187	118	95	146	82	117	119
8015B202	ins.	5.98	8.13	7.36	4.63	3.75	5.74	3.22	4.62	4.69
	mm	152	207	187	118	95	146	82	117	119
8025B216	ins.	5.91	8.13	7.36	4.63	3.66	5.74	3.44	4.84	5.11
	mm	150	207	187	118	93	146	87	123	130
8025B203	ins.	5.91	8.13	7.36	4.63	3.66	5.74	3.44	4.84	5.11
	mm	150	207	187	118	93	146	87	123	130
8015B216	ins.	5.91	8.13	7.36	4.63	3.66	5.74	3.22	4.62	4.89
	mm	150	207	187	118	93	146	82	117	124
8015B203	ins.	5.91	8.13	7.36	4.63	3.66	5.74	3.22	4.62	4.89
	mm	150	207	187	118	93	146	82	117	124
8025B217	ins.	6.47	8.60	7.84	4.78	4.38	5.89	3.44	4.84	5.47
	mm	164	219	199	121	111	150	87	123	139
8025B204	ins.	6.47	8.60	7.84	4.78	4.38	5.89	3.44	4.84	5.47
	mm	164	219	199	121	111	150	87	123	139
8015B217	ins.	6.47	8.60	7.84	4.78	4.38	5.89	3.22	4.62	5.25
	mm	164	219	199	121	111	150	82	117	133
8015B204	ins.	6.47	8.60	7.84	4.78	4.38	5.89	3.22	4.62	5.25
	mm	164	219	199	121	111	150	82	117	133
8025B221	ins.	5.75	8.13	7.63	4.63	3.75	5.74	3.44	4.84	5.48
	mm	146	207	194	118	95	146	87	123	139

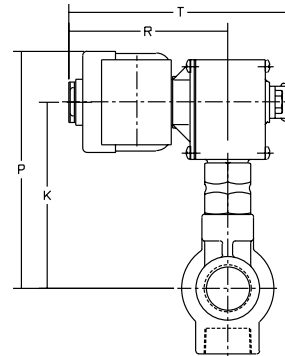
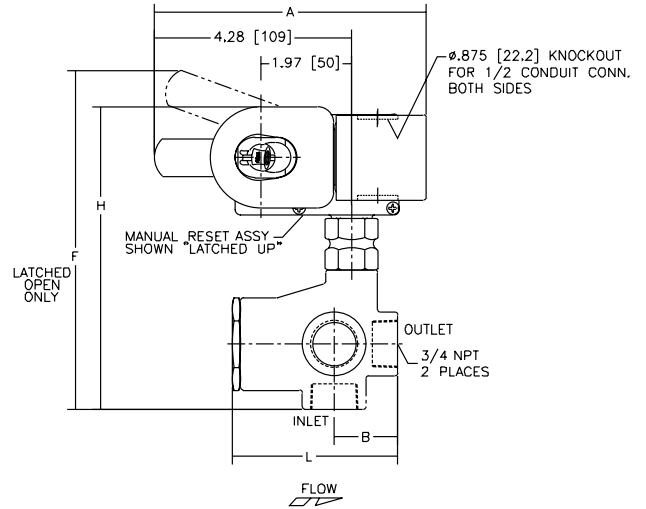
Catalog Number		A	F	H	K	L	P	R	T	W
8025B208	ins.	5.75	8.13	7.63	4.63	3.75	5.74	3.44	4.84	5.48
	mm	146	207	194	118	95	146	87	123	139
8015B221	ins.	5.75	8.13	7.63	4.63	3.75	5.74	3.22	4.62	5.27
	mm	146	207	194	118	95	146	82	117	134
8015B208	ins.	5.75	8.13	7.63	4.63	3.75	5.74	3.22	4.62	5.27
	mm	146	207	194	118	95	146	82	117	134
8025B222	ins.	5.95	8.13	7.63	4.63	3.66	5.74	3.44	4.84	5.47
	mm	151	207	194	118	93	146	87	123	139
8025B209	ins.	5.95	8.13	7.63	4.63	3.66	5.74	3.44	4.84	5.47
	mm	151	207	194	118	93	146	87	123	139
8015B222	ins.	5.95	8.13	7.63	4.63	3.66	5.74	3.22	4.62	5.25
	mm	151	207	194	118	93	146	82	117	133
8015B209	ins.	5.95	8.13	7.63	4.63	3.66	5.74	3.22	4.62	5.63
	mm	151	207	194	118	93	146	82	117	143
8025B223	ins.	6.31	8.60	8.10	4.78	4.36	5.89	3.44	4.84	5.25
	mm	160	219	206	121	111	150	87	123	133
8025B210	ins.	6.31	8.60	8.10	4.78	4.38	5.89	3.44	4.84	5.63
	mm	160	219	206	121	111	150	87	123	143
8015B223	ins.	6.31	8.60	8.10	4.78	4.38	5.89	3.22	4.62	5.41
	mm	160	219	260	121	111	150	82	117	137
8015B210	ins.	6.31	8.60	8.10	4.78	4.38	5.89	3.22	4.62	5.41
	mm	160	219	206	121	111	150	82	117	137

SPECIAL SERVICE PILOT

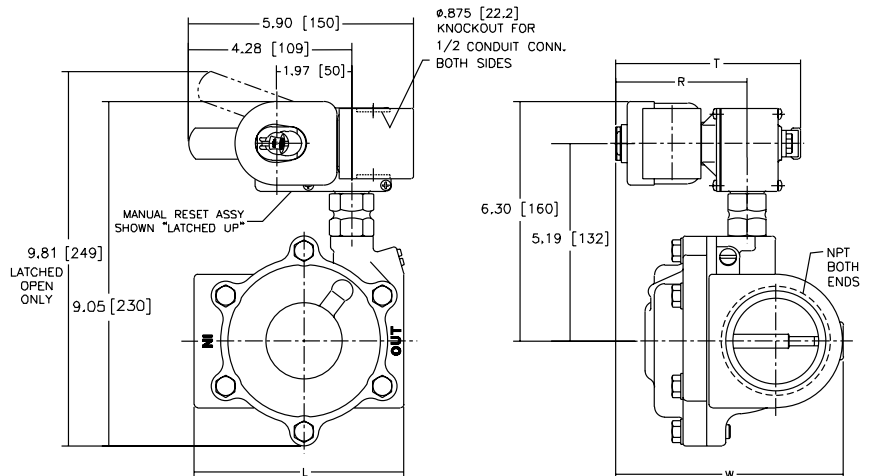


## Dimensions: inches (mm)

Catalog Number		A	B	F	H	K	L	P	R	T
8015B207	ins.	5.31	1.38	7.34	6.58	4.05	3.59	5.16	3.22	4.62
	mm	135	35	186	167	103	91	131	82	117
8015B220	ins.	5.31	1.38	7.34	6.58	4.05	3.59	5.16	3.22	4.62
	mm	135	35	186	167	103	91	131	82	117
8025B207	ins.	5.31	1.38	7.34	6.58	4.05	3.59	5.16	3.44	4.84
	mm	135	35	186	167	103	91	131	87	123
8025B220	ins.	5.31	1.38	7.34	6.58	4.05	3.59	5.16	3.44	4.84
	mm	135	35	186	167	103	91	131	87	123
8015B211	ins.	5.90	1.19	6.66	5.89	3.56	3.13	4.67	3.22	4.62
	mm	150	30	169	150	90	80	119	82	117
8015B224	ins.	5.90	1.19	6.66	5.89	3.56	3.13	4.67	3.22	4.62
	mm	150	30	169	150	90	80	119	82	117
8025B211	ins.	5.90	1.19	6.66	5.89	3.56	3.13	4.67	3.44	4.84
	mm	150	30	169	150	90	80	119	87	123
8025B224	ins.	5.90	1.19	6.66	5.89	3.56	3.13	4.67	3.44	4.84
	mm	150	30	169	150	90	80	119	87	123



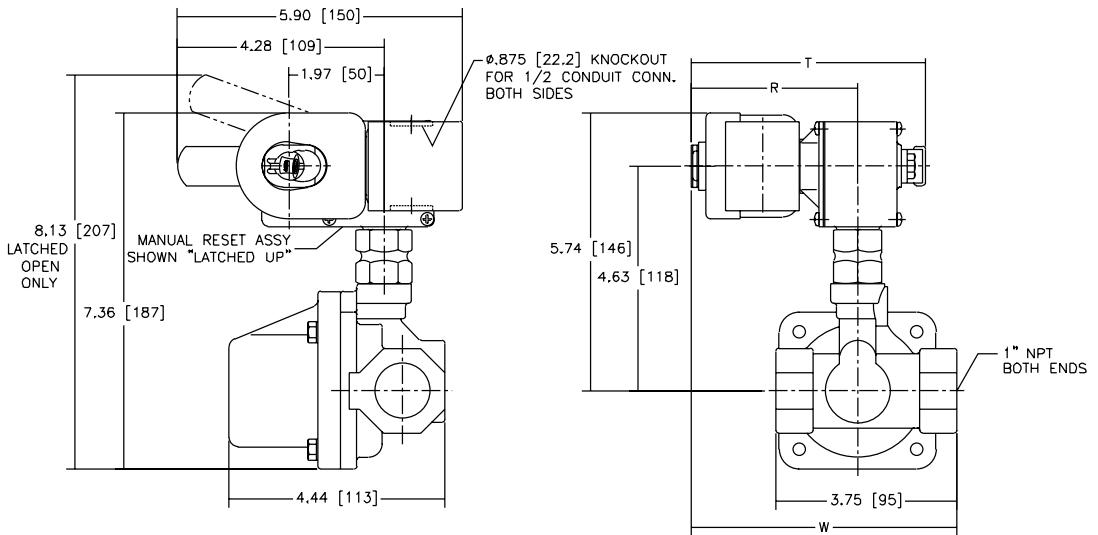
Catalog Number		L	R	T	W
8025B218	ins.	5.06	3.44	4.84	5.47
	mm	129	87	123	139
8025B205	ins.	5.06	3.44	4.84	5.47
	mm	129	87	123	139
8015B218	ins.	5.06	3.22	4.62	5.25
	mm	129	82	117	113
8015B205	ins.	5.06	3.22	4.62	5.25
	mm	129	82	117	113
8025B219	ins.	5.50	3.44	4.84	5.94
	mm	140	87	123	151
8025B206	ins.	5.50	3.44	4.84	5.94
	mm	140	87	123	151
8015B219	ins.	5.50	3.22	4.62	5.72
	mm	140	82	117	145
8015B206	ins.	5.50	3.22	4.62	5.72
	mm	140	82	117	145



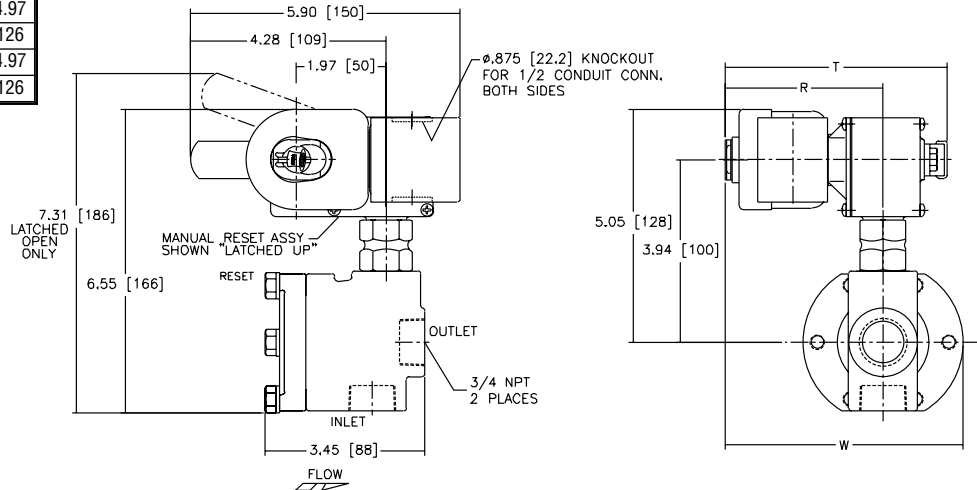
SPECIAL SERVICE PILOT

**Dimensions: inches (mm)**

Catalog Number		R	T	W
8025B213	ins.	3.44	4.84	5.48
	mm	87	123	139
8025B226	ins.	3.44	4.84	5.48
	mm	87	123	139
8015B213	ins.	3.22	4.62	5.27
	mm	82	117	134
8015B226	ins.	3.22	4.62	5.27
	mm	82	117	134



Catalog Number		R	T	W
8025B212	ins.	3.44	4.84	5.19
	mm	87	123	132
8025B225	ins.	3.44	4.84	5.19
	mm	87	123	132
8015B212	ins.	3.22	4.62	4.97
	mm	82	117	126
8015B225	ins.	3.22	4.62	4.97
	mm	82	117	126



SPECIAL SERVICE  
PILOT