

Series 451 Manifolds & Assemblies

411 & RB Series Manifold Mount Valves



The Series 451 are anodized aluminum manifolds used with ASCO's 411 & RB Series solenoid valves. The manifolds are available separately or as completed valve/manifold assembly.

- Valves easily thread into manifold, reducing assembly time, eliminating potential leak points, and avoiding plumbing errors associated with tubing together stand alone valves.
- Manifolds are constructed of corrosion resistant anodized aluminum.
- Standard manifolds feature 1/8" NPTF common port and discrete #10-32 ports to mate with metal or plastic fittings.



Construction

| | |
|--------------------------------|-------------------|
| Manifold | Anodized Aluminum |
| Discrete Manifold Ports | #10-32 UNF Female |
| Common Manifold Port | 1/8" NPTF Female |

Manifold Assemblies & Manifold Only Part Numbering

| Number of Stations | Manifold Only | Valves Assembled to Manifold |
|--------------------|---------------|------------------------------|
| 1 | 51140001-01 | Base Valve Number + A01 |
| 2 | 51140002-01 | Base Valve Number + A02 |
| 4 | 51140003-01 | Base Valve Number + A04 |
| 6 | 51140003-02 | Base Valve Number + A06 |
| 8 | 51140003-03 | Base Valve Number + A08 |
| 10 | 51140003-04 | Base Valve Number + A10 |
| 12 | 51140003-05 | Base Valve Number + A12 |

* Manifold assemblies can only be ordered with 411 & RB manifold mount constructions

To Construct Catalog Number

- Select valve number from appropriate catalog section
- Select number of stations

Examples

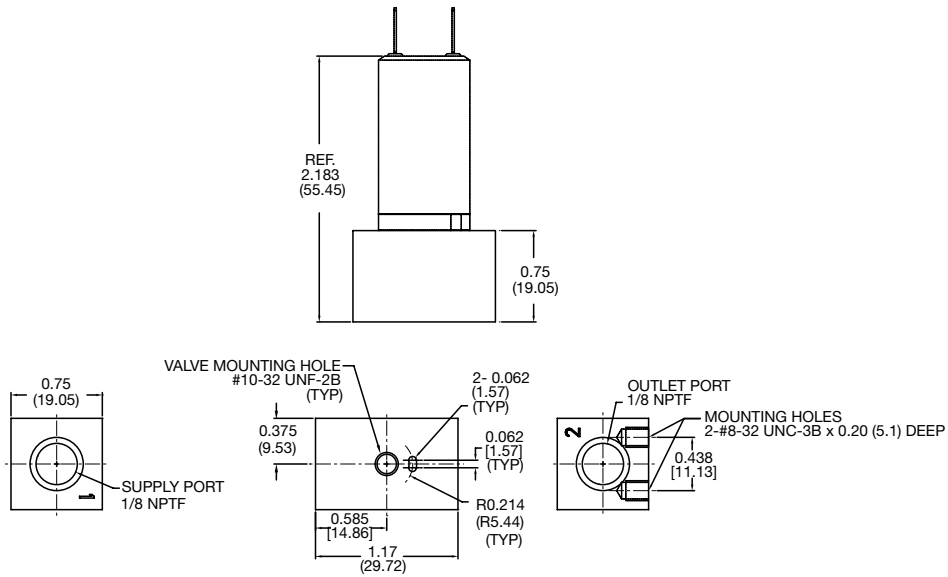
411M1105FVA08 = 8 411 Series catalog valves 411M1105FV mounted on 8 station manifold

RLM201230VA02 = 2 RB Series catalog valves RLM201230V mounted on 2 station manifold

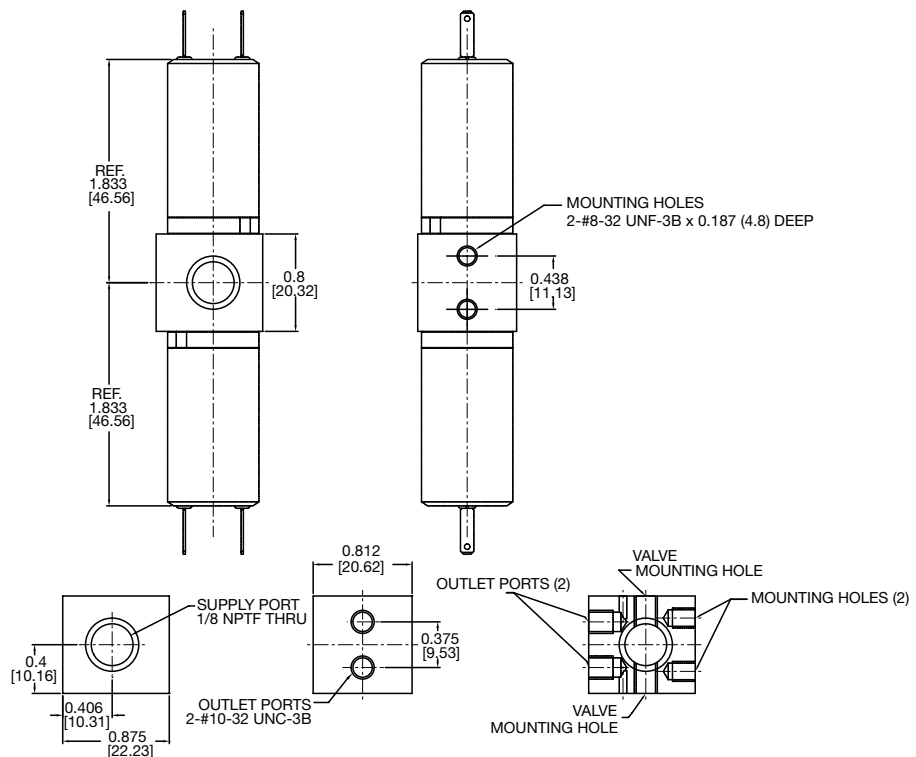
51140003-05 = 12 station manifold (no valves)

Dimensions: Inches (mm)

Single Station Manifold

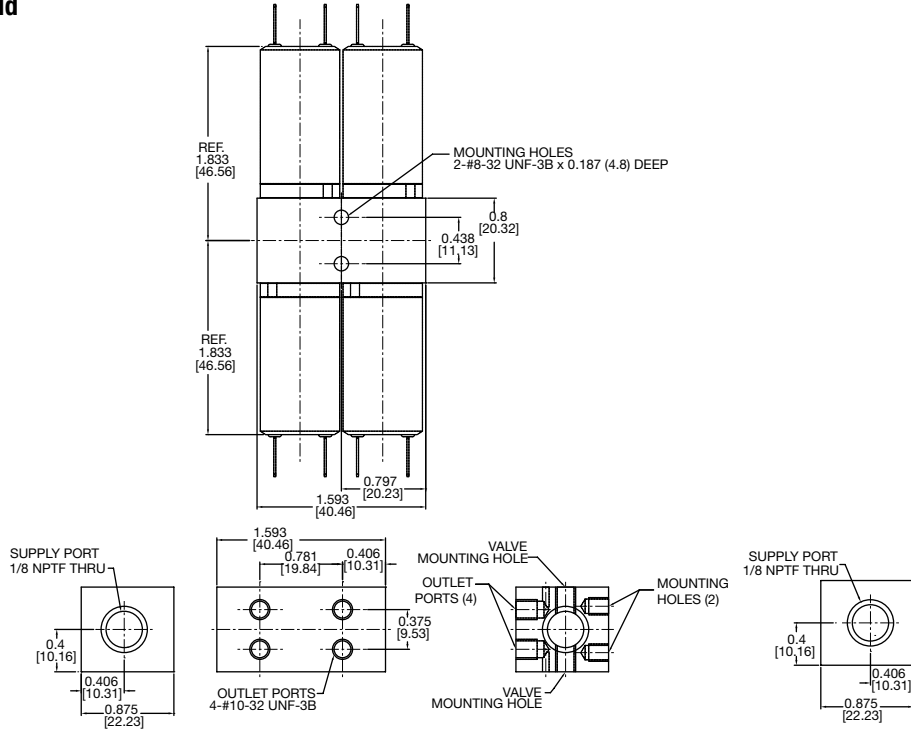


2 Station Manifold



Dimensions (Continued): Inches (mm)

4 Station Manifold



6, 8, 10, 12 Station Manifolds

| Number of Stations | DIM "A" | DIM "B" |
|--------------------|---------------|----------------|
| 6 | .845 (21.46) | 2.375 (60.35) |
| 8 | 1.625 (41.28) | 3.156 (80.16) |
| 10 | 2.406 (61.11) | 3.937 (99.99) |
| 12 | 3.187 (80.95) | 4.718 (119.84) |

