

The 411 Series valves are suitable for a wide range of OEM applications where small size, low power, and long life are critical.

- Cycle life in the hundreds of millions
- Corrosion resistant materials of construction
- Manifold mount construction allows for easy assembly
- Lower power consumption offers extended battery life

Construction

Valve Wetted Parts	
Body	PBT
Gaskets	FKM
Bobbin/Core Tube	PBT
Core and Plugnut	400 Series Stainless Steel
Springs	300 Series Stainless Steel

Electrical

Standard Voltages	05, 06, 12 & 24 VDC
Power Consumption	0.65, 2.0 Watts
Duty Cycle Rating	Continuous
Coil Insulation	266°F (130°C)
Electrical Connection	.110 Spade, 24 AWG Hardwire

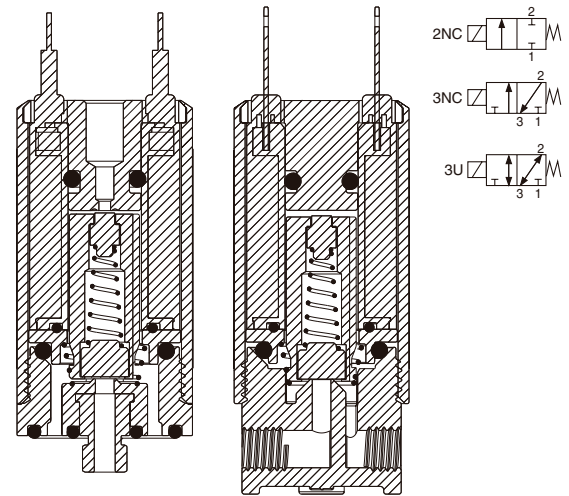
Valve

Response Time	~ 10 ms
Internal Volume (Max.)	Line Mount = 620µl Manifold Mount = 564µl
Vacuum Rating	29" Hg
Options	Oxygen clean available

Alternate Construction/Options

Additional constructions and options are available including alternate elastomers and orifice sizes. Minimum quantities apply. ASCO can also custom design a valve or manifold assembly to your specific application.

Contact your local ASCO sales office for more information



Temperature Range

Ambient & Media:
32°F to 140°F (0°C to 60°C) continuous duty

Approvals

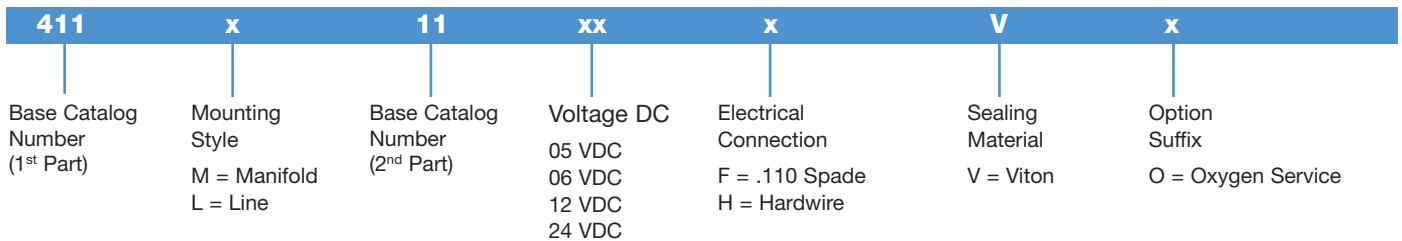
Consult factory

Specifications

Port Thread	Orifice Size	Cv Flow Factor	Maximum Pressure (psi)	Base Catalog Number	Wattage @ 20°C	Weight (gm)
2-Way Normally Closed (Closed when de-energized)						
#10-32 UNF	0.025	.013	100	411x11xxxV	0.65	50
#10-32 UNF	0.055	.038	100	411x21xxxV	2.0	50
#10-32 UNF	0.080	.070	30	411x31xxxV	2.0	50
3-Way Normally Closed (Closed when de-energized)						
#10-32 UNF	0.025 / .025	.013 / .012	100	411x12xxxV	0.65	50
#10-32 UNF	0.055 / .050	.038 / .033	100	411x22xxxV	2.0	50
#10-32 UNF	0.08 / .050	.070 / .033	30	411x32xxxV	2.0	50
3-Way Universal Operation (Pressure at any port) ①						
#10-32 UNF	0.025 / .025	.013 / .012	110	411x13xxHV	0.65	50
#10-32 UNF	0.055 / .050	.038 / .033	100	411x23xxHV	2.0	50
#10-32 UNF	0.08 / .050	.070 / .033	30	411x33xxHV	2.0	50

① Only available with electrical connection H

Catalog Number Description and Options



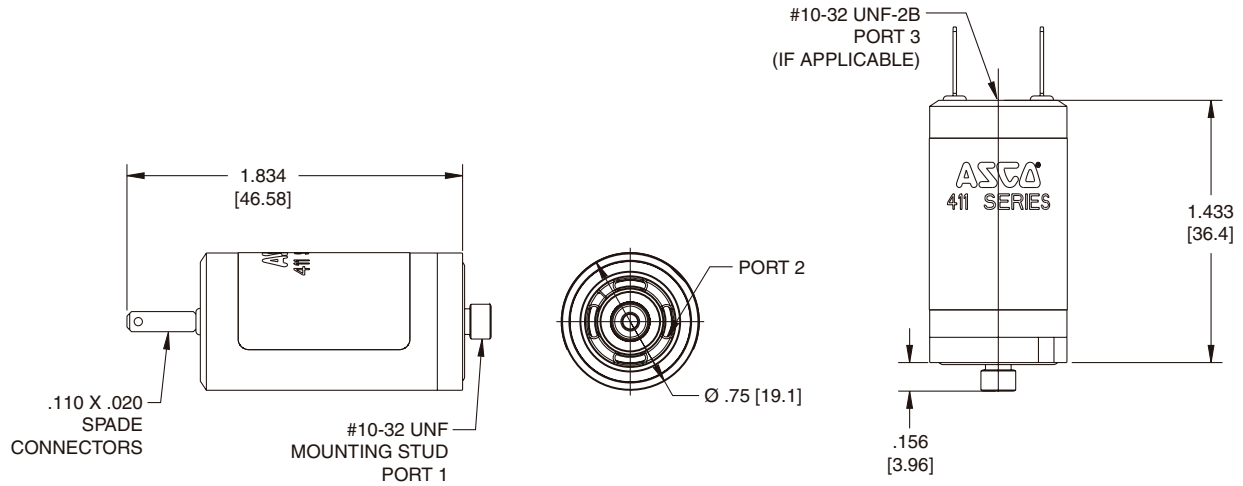
To Construct Catalog Number:

- Select base numbers
- Insert mounting style into 4th digit
- Insert voltage into 7th & 8th digits
- Insert electrical connection into 9th digit

Examples:

411M1124FV = 2-way normally closed manifold mount valve with 0.025 orifice, 24VDC coil rating at 0.65 Watts, .110 spade connection, Viton seals
 411L3212HV = 3-way normally closed line mount valve with 0.080 orifice, 12VDC coil rating at 2.0 Watts, hard wire non-encapsulated coil, Viton seals

Dimensions - 2 and 3-Way Standard Manifold Mount Solenoid: Inches (mm)



Dimensions - 2 and 3-Way Standard Line Mount Solenoid: Inches (mm)

